



CORDLESS GARDEN CHEMICAL SPRAYER
24-VOLT MAX* | 1.3 Ah | 1 GAL

OPERATOR'S MANUAL

A Division of Snow Joe®, LLC

Model 24V-GS-LTW-RM

Form No. SJ-24V-GS-LTW-RM-880E-M-V1

**THANKS FOR YOUR PURCHASE
OF A REMANUFACTURED PRODUCT.**

To make sure you get the most out of your product, be sure to register online at

sunjoe.com

to enjoy full product support.





CORDLESS GARDEN CHEMICAL SPRAYER

24-VOLT MAX* | 1.3 Ah | 1 GAL

OPERATOR'S MANUAL

A Division of Snow Joe®, LLC

Model 24V-GS-LTW-RM

Form No. SJ-24V-GS-LTW-RM-880E-M-V1

IMPORTANT! Safety Instructions

All Operators Must Read These Instructions Before Use

Any electrical appliance can be dangerous if used incorrectly. Some of the safety precautions given in this manual apply generally to many appliances. Other warnings are specific to the use of this cordless sprayer.

Always follow these safety guidelines. Failure to do so may result in serious bodily injury or death.

⚠️ WARNING! This indicates a hazardous situation, which, if not avoided, could result in death or serious injury.

⚠️ CAUTION! This indicates a hazardous situation, which, if not avoided, could result in minor or moderate injury.

⚠️ DANGER! This indicates a hazardous situation, which, if not followed, will result in death or serious injury.

General Safety

⚠️ WARNING! This appliance is not intended for use by children or by unassisted, unsupervised persons whose physical, sensory, or mental capabilities prevent them from using it safely. Children should be supervised to ensure that they do not play with the appliance.

Before starting up your machine, please check it carefully for any defects. If you find any, do not start up your machine. Contact your authorized Snow Joe® + Sun Joe® dealer or call the Snow Joe® + Sun Joe® customer service center at 1-866-SNOWJOE (1-866-766-9563).

⚠️ WARNING! Read all safety warnings and instructions. Failure to follow the warnings and instructions may result in electric shock, fire and/or serious injury.

⚠️ WARNING! When using the cordless garden sprayer, basic safety precautions should always be followed to reduce the risk of fire, electric shock, and personal injury. These include:

- **Know your garden sprayer.** Read and understand the operator's manual and observe the warnings and instruction labels affixed to the tool.

- **Do not operate the product in explosive atmospheres, such as in the presence of flammable liquids, gases or dust.** Power tools create sparks which may ignite the dust or fumes.
- **Do not expose appliance to rain or wet conditions.** Water entering a power tool will increase the risk of electric shock.
- **Do not allow bystanders or children in the area while operating this product.** Exposure to some chemicals can be hazardous.
- **Use right appliance.** Do not use appliance for any job except that for which it is intended.
- **This product is only suitable for outdoor use.**
- **Don't force appliance.** It will do the job better and with less likelihood of a risk of injury at the rate for which it was designed.
- **Stay alert, watch what you are doing and use common sense when operating this product.** Do not use while you are tired or under the influence of drugs, alcohol or medication. A moment of inattention while operating this product may result in serious personal injury.
- **Dress properly. Do not wear loose clothing or jewelry.** Contain long hair. Keep your hair, clothing, and gloves away from moving parts. Loose clothes, jewelry, or long hair can be caught in moving parts.
- **Use safety equipment.** Always wear eye protection with side shields or goggles and a dust mask. Protect eyes, skin and lungs against drifting spray and during mixing, filling, and cleaning.
- **Do not overreach.** Keep proper footing and balance at all times. Do not use on a ladder or unstable support. Stable footing on a solid surface enables better control of the product in unexpected situations.
- **Do not use the product if the switch does not turn it on and off.** Any product that cannot be controlled with the switch is dangerous and must be repaired.
- **Store idle appliances indoors.** When not in use, appliances should be stored indoors in dry, and high or locked-up place - out of reach of children.
- **Maintain appliance with care.** Keep clean for best performance and to reduce the risk of injury. Follow instructions for changing accessories.
- **Check damaged parts.** Before further use of the appliance, a guard or other part that is damaged should be carefully checked to determine that it will operate properly and perform its intended function. Check for alignment of moving parts, binding of moving parts, breakage of parts, mounting, and any other condition that may affect its

operation. A guard or other part that is damaged should be properly repaired or replaced by an authorized service center unless indicated elsewhere in this manual.

- **Keep the sprayer and its handle dry, clean and free from oil and grease.** Always use a clean cloth when cleaning. Never use brake fluids, gasoline, petroleum-based products, or any strong solvents to clean your tool. Following this rule will reduce the risk of loss of control and deterioration of the enclosure plastic.
- **Use this product in accordance with these instructions and in the manner intended, taking into account the working conditions and the work to be performed.** Use of the product for operations different from those intended could result in a hazardous situation.
- **Prevent unintentional starting.** Ensure the switch is in the off-position before connecting to battery pack, picking up or carrying the appliance. Carrying the appliance with your finger on the switch or energizing appliance that has the switch on invites accidents.

⚠ WARNING! Disconnect the battery pack from the appliance before making any adjustments, changing accessories, or storing appliance. Such preventive safety measures reduce the risk of starting the appliance accidentally.

- **Use the product only with specifically designated battery packs.** Use of any other battery packs may create a risk of injury and fire.
- **Have this product serviced by a qualified repair person using only identical replacement parts.** This will ensure that the safety of the power tool is maintained.
- **When servicing the product, use only identical replacement parts.** Follow instructions in the Maintenance section of this manual. Use of unauthorized parts or failure to follow Maintenance instructions may create a risk of shock or injury.

Specific Safety Rules for Garden Sprayer

⚠ DANGER! Risk of fire or explosion. Do not spray flammable liquids such as gasoline. Look for warning symbols on the liquid container.

⚠ WARNING! Some spray created from products used with the sprayer contains chemicals that may cause harm to health. Follow directions on containers of all such products. To reduce your exposure to these chemicals, wear approved safety equipment such as face masks that are specially designed to filter out sprays, gloves, and other appropriate protective equipment.

⚠ CAUTION! When a flammable liquid is sprayed, there may be danger of fire or explosion, especially in a closed room.

- Before using any pesticide or other spray materials in this sprayer, read the label on its original container thoroughly and follow its directions. Some spray materials are dangerous and should not be used in this sprayer, as they can damage the sprayer and cause serious bodily injury or property damage.
- Electric shock hazard. Never spray toward electrical outlets.
- Do not use commercial grade chemicals or chemicals for commercial or industrial purposes. Use only consumer grade water-based lawn and garden chemicals.
- Do not pour hot or boiling liquids into the tank. These can weaken or damage the hose or tank.
- Spray area must be well ventilated.
- Avoid spraying on windy days. Spray can be accidentally blown onto plants or objects that should not be sprayed.
- Store the sprayer in a secure, well-ventilated indoor space with the fluid tank empty.
- Do not use caustic (alkali) self-heating or corrosive (acid) liquids in this sprayer. These can corrode metal parts or weaken the tank and hose.
- Know the contents of the chemical being sprayed. Read all Material Safety Data Sheets (MSDS) and container labels provided with the chemical. Follow the chemical manufacturer's safety instructions.
- Do not leave residue or spray material in the tank after using the sprayer. Clean after each use.
- Do not smoke while using the sprayer, or spray where spark or flame is present.
- Risk of injection. Do not discharge directly against skin.
- To reduce the risk of electric shock, do not put the sprayer into water or other liquid. Do not place or store the sprayer where it can fall or be pulled into a tub or sink.
- Maintain this product. Thoroughly inspect both the inside and outside of the sprayer and examine the components before each use. Check for cracked and deteriorated hoses, leaks, clogged nozzles, and missing or damaged parts. If damaged, have the product repaired before use. Many accidents are caused by poorly maintained products.
- Disconnect the battery from the unit before draining, cleaning, or storing the sprayer. Such preventive safety measures reduce the risk of accidental starting.
- Always wear eye protection with side shields or goggles. Failure to do so could result in fluids entering your eyes resulting in possible serious injury.
- Protect your lungs. Wear a face or dust mask when using the sprayer. Following this rule will reduce the risk of serious personal injury.
- Battery tools do not have to be plugged into an electrical outlet; therefore, they are always in operating condition. Be aware of possible hazards when not using your battery tool or when changing accessories. Remove battery pack when tool is not in use. Following this rule will reduce the risk of electric shock, fire, or serious personal injury.

- Store the product out of the reach of children and do not allow persons unfamiliar with the product or these instructions to operate the product.

Battery + Charger Safety Instructions

We pay a great deal of attention to the design of every battery pack to ensure that we supply you with batteries that are safe, durable and have a high energy density. The battery cells have a wide range of safety devices. Each individual cell is initially formatted and its electrical characteristic curves are recorded. This data is then used exclusively to be able to assemble the best possible battery packs.

Despite all the safety precautions, caution must always be exercised when handling batteries. The following points must be obeyed at all times to ensure safe use. Safe use can only be guaranteed if undamaged cells are used. Incorrect handling of the battery pack can cause cell damage.

IMPORTANT! Analyses confirm that incorrect use and poor care of high-performance batteries are the main factors responsible for personal and/or product damage.

⚠️ WARNING! Use only approved replacement batteries; other batteries may damage the cordless garden sprayer and cause it to malfunction, which can lead to serious personal injury.

⚠️ WARNING! Do not use a battery pack or appliance that is damaged or modified. Damaged or modified batteries may exhibit unpredictable behavior resulting in fire, explosion or risk of injury.

Do not modify or attempt to repair the appliance or the battery pack except as indicated in the instructions for use and care.

Have your battery pack serviced by a qualified repair person using only identical replacement parts. This will ensure that the safety of the battery pack is maintained.

⚠️ CAUTION! To reduce the risk of injury, charge the iON+ 24V lithium-ion battery pack only in its designated iON+ 24V lithium-ion charger. Other types of chargers present risk of fire, personal injury and damage. Do not wire a battery pack to a power supply plug or car cigarette lighter. Such misuse will permanently disable or damage the battery pack.

- **Avoid dangerous environments** – Do not charge the battery pack in rain, snow or in damp or wet locations. Do not use the battery pack or charger in the presence of explosive atmospheres (gaseous fumes, dust or flammable materials) because sparks may be generated when inserting or removing the battery pack, which could lead to a fire.
- **Charge in a well-ventilated area** – Do not block the charger vents. Keep them clear to allow for proper ventilation. Do not allow smoking or open flames near a charging battery pack. Vented gases may explode.

NOTE: The safe temperature range for the battery is 41°F – 105°F (5°C – 40.5°C). Do not charge the battery outside in freezing weather; charge it at room temperature. Charging improperly or at temperatures outside of the specified range may damage the battery and increase the risk of fire.

- **Maintain charger cord** – When unplugging the charger, pull the plug, not the cord, from the receptacle to reduce the risk of damage to the electrical plug and cord. Never carry the charger by its cord or yank it by the cord to disconnect it from the receptacle. Keep the cord away from heat, oil and sharp edges. Make sure the cord will not be stepped on, tripped over or subjected to damage or stress when the charger is in use. Do not use the charger with a damaged cord or plug. Replace a damaged charger immediately.
- **Do not use an extension cord unless it is absolutely necessary** – Using the wrong, damaged or improperly wired extension cord poses a risk of fire and electric shock. If an extension cord must be used, plug the charger into a properly wired 16 gauge or larger extension cord with the female plug matching the male plug on the charger. Make sure that the extension cord is in good electrical condition.
- **Charger (XZ2600-0450) is rated for 100 – 240 volt AC only** – The charger must be plugged into an appropriate receptacle.
- **Use only recommended attachments** – Use of an attachment not recommended or sold by the battery charger or battery pack manufacturer may result in risk of fire, electric shock or personal injury.
- **Unplug charger when not in use** – Make sure to remove battery packs from unplugged chargers.

⚠️ WARNING! To reduce the risk of electric shock, always unplug the charger before performing any cleaning or maintenance. Do not allow water to flow into the charger. Use a Ground Fault Circuit Interrupter (GFCI) to reduce shock hazards.

- **Do not burn or incinerate battery packs** – Battery packs may explode, causing personal injury or damage. Toxic fumes and materials are created when battery packs are burned.
- **Do not crush, drop or damage battery packs** – Do not use the battery pack or charger if they have sustained a sharp blow, been dropped, run over or have been damaged in any way (i.e. pierced with a nail, hit with a hammer, stepped on, etc.).
- **Do not disassemble** – Incorrect reassembly may pose a serious risk of electric shock, fire or exposure to toxic battery chemicals. If the battery or charger are damaged, contact an authorized Snow Joe® + Sun Joe® dealer or call the Snow Joe® + Sun Joe® customer service center at 1-866-SNOWJOE (1-866-766-9563) for assistance.
- **Battery chemicals cause serious burns** – Never let a damaged battery pack contact the skin, eyes or mouth. If a damaged battery pack leaks battery chemicals, use rubber or neoprene gloves to safely dispose of it. If skin

is exposed to battery fluids, wash the affected area with soap and water and rinse with vinegar. If eyes are exposed to battery chemicals, immediately flush with water for 20 minutes and seek medical attention. Remove and dispose of contaminated clothing.

- **Do not short circuit** – A battery pack will short circuit if a metal object makes a connection between the positive and negative contacts on the battery pack. Do not place a battery pack near anything that may cause a short circuit, such as paper clips, coins, keys, screws, nails and other metallic objects. A short-circuited battery pack poses a risk of fire and severe personal injury.
- **Store your battery pack and charger in a cool, dry place** – Do not store the battery pack or charger where temperatures may exceed 105°F (40.5°C), such as in direct sunlight or inside a vehicle or metal building during the summer.

Information about the battery

1. The battery pack supplied with your cordless garden sprayer is only partially charged. The battery pack has to be charged completely before you use the tool for the first time.
2. For optimum battery performance, avoid low discharge cycles by charging the battery pack frequently.
3. Store the battery pack in a cool place, ideally at 77°F (25°C) and charged to at least 40%.
4. Lithium-ion batteries are subject to a natural aging process. The battery pack must be replaced at the latest when its capacity falls to just 80% of its capacity when new. Weakened cells in an aged battery pack are no longer capable of meeting the high power requirements needed for the proper operation of your garden sprayer, and therefore pose a safety risk.
5. Do not throw battery packs into an open fire as this poses a risk of explosion.
6. Do not ignite the battery pack or expose it to fire.
7. Do not exhaustively discharge batteries. Exhaustive discharge will damage the battery cells. The most common cause of exhaustive discharge is lengthy storage or non-use of partially discharged batteries. Stop working as soon as the performance of the battery falls noticeably or the electronic protection system triggers. Place the battery pack in storage only after it has been fully charged.
8. Protect batteries and the tool from overloads. Overloads will quickly result in overheating and cell damage inside the battery housing even if this overheating is not apparent externally.
9. Avoid damage and shocks. Immediately replace batteries that have been dropped from a height of more than one meter or those that have been exposed to violent shocks, even if the housing of the battery pack appears to be undamaged. The battery cells inside the battery may have suffered serious damage. In such instances, please read the waste disposal information for proper battery disposal.
10. If the battery pack suffers overloading and overheating, the integrated protective cutoff will switch off the equipment for safety reasons.
IMPORTANT! Do not press the ON/OFF switch any more if the protective cut-off has been activated. This may damage the battery pack.
11. Use only original battery packs. The use of other batteries poses a fire risk and may result in injuries or an explosion.

Information about the charger and the charging process

1. Please check the data marked on the rating plate of the battery charger. Be sure to connect the battery charger to a power supply with the voltage marked on the rating plate. Never connect it to a different mains voltage.
2. Protect the battery charger and its cord from damage. Keep the charger and its cord away from heat, oil and sharp edges. Have damaged cords repaired without delay by a qualified technician at an authorized Snow Joe® + Sun Joe® dealer or call the Snow Joe® + Sun Joe® customer service center at 1-866-SNOWJOE (1-866-766-9563).
3. Electrical plugs must match the outlet. Never modify the plug in any way. Do not use any adapter plugs with grounded appliances. Unmodified plugs and matching outlets will reduce the risk of electric shock.
4. Keep the battery charger, battery pack(s) and the cordless tool out of the reach of children.
5. Do not use the supplied battery charger to charge other cordless tools.
6. During periods of heavy use, the battery pack will become warm. Allow the battery pack to cool to room temperature before recharging.
7. Do not overcharge batteries. Do not exceed the maximum charging times. These charging times only apply to discharged batteries. Frequent insertion of a charged or partially charged battery pack will result in overcharging and cell damage. Do not leave batteries in the charger for days on end.
8. Never use or charge batteries if you suspect that it has been more than 12 months since the last time they were charged. There is a high probability that the battery pack has already suffered dangerous damage (exhaustive discharge).
9. Charging batteries at a temperature below 41°F (5°C) will cause chemical damage to the cells and may cause a fire.
10. Do not use batteries that have been exposed to heat during the charging process, as the battery cells may have suffered dangerous damage.
11. Do not use batteries that have suffered curvature or deformation during the charging process or those that exhibit other atypical symptoms (gassing, hissing, cracking, etc.).











12. Never fully discharge the battery pack (maximum recommended depth of discharge is 80%). A complete discharge of the battery pack will lead to premature aging of the battery cells.

Protection from environmental influences

1. Wear suitable work clothes. Wear safety goggles.
2. Protect your cordless tool and the battery charger from moisture and rain. Moisture and rain can cause dangerous cell damage.
3. Do not use the cordless tool or the battery charger near vapors and flammable liquids.
4. Use the battery charger and cordless tools only in dry conditions and at an ambient temperature of 41°F – 105°F (5°C – 40.5°C). Do not expose a battery pack or appliance to fire or excessive temperature. Exposure to fire or temperature above 265°F (130°C) may cause explosion.
5. Do not keep the battery charger in places where the temperature is liable to reach over 105°F (40.5°C). In particular, do not leave the battery charger in a car that is parked in the sunshine.
6. Protect batteries from overheating. Overloads, overcharging and exposure to direct sunlight will result in overheating and cell damage. Never charge or work with batteries that have been overheated – replace them immediately, if possible.
7. Store the charger and your cordless tool only in dry locations with an ambient temperature of 41°F – 105°F (5°C – 40.5°C). Store your lithium-ion battery pack in a cool, dry place at a temperature of 77°F (25°C). Protect the battery pack, charger and cordless tool from humidity and direct sunlight. Only place fully charged batteries in storage (charged to at least 40%).
8. Prevent the lithium-ion battery pack from freezing. Battery packs that were stored below 32°F (0°C) for more than 60 minutes must be discarded.
9. When handling batteries, be wary of electrostatic charge. Electrostatic discharges can damage the electronic protection system and the battery cells. Avoid electrostatic charging and never touch the battery poles.

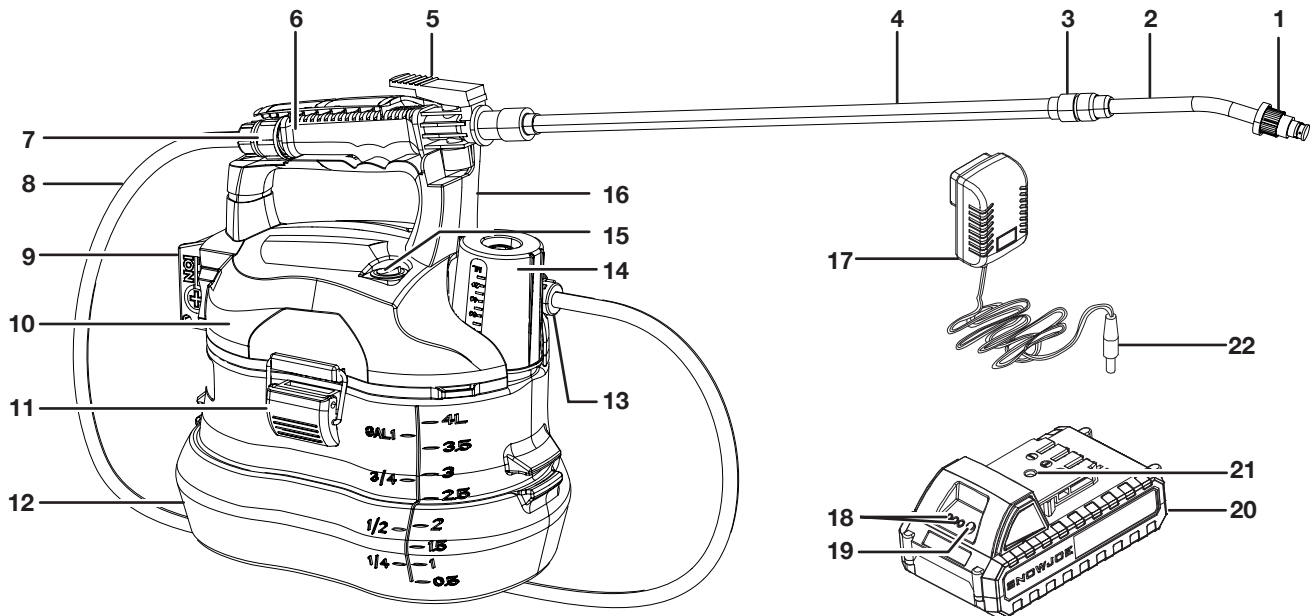
Safety Symbols

The following table depicts and describes safety symbols that may appear on this product. Read, understand, and follow all instructions on the machine before attempting to assemble and operate.

Symbols	Descriptions	Symbols	Descriptions
	READ THE OPERATOR'S MANUAL(S) – Read, understand, and follow all instructions in the user manual(s) before attempting to assemble and operate.		SAFETY ALERT – Indicates a precaution, a warning, or a danger.
	WEAR EYE AND HEARING PROTECTION – For protection against injury, wear ear defenders and safety goggles.		Wear mask for protection during spraying.
	WARNING! Do not expose the unit to rain or wet conditions. Keep dry.		WARNING: Never direct adjustable nozzle at persons, animals, the unit or any other electric components.
	Wear safety gloves during use to protect hands.		Wear safety footwear at all times to provide protection against objects that may accidentally fall on feet.
	Store indoors.		Indoor use only. Only use battery charger indoors.

Know Your Cordless Garden Chemical Sprayer

Read the owner's manual and safety rules carefully before operating the garden chemical sprayer. Compare the illustration below to the unit in order to familiarize yourself with the location of the various controls and adjustments. Save this manual for future reference.



- | | | |
|---------------------------|---------------------------------|--|
| 1. Adjustable nozzle | 9. Battery compartment | 17. 24V lithium-ion charger (XZ2600-0450) |
| 2. Telescoping wand | 10. Motor housing | 18. Battery indicators |
| 3. Telescoping lock | 11. Tank latch (2) | 19. Push button for battery indicator |
| 4. Spray wand | 12. Tank | 20. 24V iON+ lithium-ion battery (24VBAT-LTW) featuring exclusive EcoSharp® technology |
| 5. Trigger | 13. Tank connection | 21. Charge socket |
| 6. Trigger gun | 14. Measuring cup | 22. Charger plug |
| 7. Trigger gun connection | 15. On/Off switch | |
| 8. Hose | 16. Handle + Trigger gun holder | |

Technical Data

Battery Voltage*	24V D.C.	Flow	20.3 oz/min (0.6 L/min)
Battery Capacity	1.3 Ah	Telescopic Spray Wand Length	17.7 in. to 28.7 in. (45 cm to 73 cm)
Battery Runtime Max	10 hours	Motor	10 W Brush
Charger Input	100 – 240 V AC, 50/60 Hz, 0.4 A	Tank Capacity	1 Gal (4 L)
Charger Output	26V D.C. 450 mA	Measuring Cup Capacity	4 fl oz (120 ml)
Charge Time Max	3 hours	Hose Length	47 in. (120 cm)
Spray Pressure	72.5 PSI	Weight (chemical spray alone)	4 lbs (1.8 kg)
		Weight (with battery installed)	5.1 lbs (2.3 kg)

*Initial no-load voltage, when fully charged, peaks at 24 volts; nominal voltage under typical load is 21.6 volts.

Unpacking

Carton Contents

- Cordless garden sprayer with hose
- Spray wand assembly
- 24V iON+ lithium-ion battery
- 24V lithium-ion charger
- Manuals with registration card

1. Carefully remove the cordless garden sprayer and check to see that all of the above items are supplied.
2. Inspect the product carefully to make sure no breakage or damage occurred during shipping. If you find damaged or missing parts, DO NOT return the unit to the store. Please call the Snow Joe® + Sun Joe® customer service center at 1-866-SNOWJOE (1-866-766-9563).

NOTE: Do not discard the shipping carton and packaging material until you are ready to use your new cordless garden sprayer. The packaging is made of recyclable materials. Properly dispose of these materials in accordance with local regulations.

IMPORTANT! The equipment and packaging material are not toys. Do not let children play with plastic bags, foils, or small parts. These items can be swallowed and pose a suffocation risk!

⚠ WARNING! Do not insert battery until assembly is complete. Failure to comply could result in accidental starting and possible serious personal injury.





Battery Pack Operation

The equipment is powered by a lithium-ion battery. The battery pack is completely sealed and maintenance free.

Battery Charge Level Indicator

The battery pack is equipped with a push button for checking the charge level. Simply press the push button to read off the battery charge level from the LEDs of the battery indicator:

- All 3 level monitoring LEDs are lit: Battery charge level is high.
- 2 level monitoring LEDs are lit: Battery charge level is decreasing. Stop work as soon as possible.
- 1 level monitoring LED is lit: Battery is flat. Stop work IMMEDIATELY and charge the battery. Otherwise the battery's service life will be greatly shortened.

Lights	Light Indicators
	Charge level button
	The battery is at 30% capacity and requires charging
	The battery is at 60% capacity and requires charging soon
	The battery is at full capacity

NOTE: If the charge level button does not appear to be working, insert the charger and charge as needed.

NOTE: Immediately after using the battery pack, the charge level button may display a lower charge than it will if checked a few minutes later. The battery cells "recover" some of their charge after resting.

Charger Operation

⚠ WARNING! Charge only iON+ 24V lithium-ion battery packs with their compatible iON+ 24V lithium-ion charger. Other types of batteries may cause personal injury and damage.

To reduce the risk of electric shock, do not allow water to flow into the charger's AC/DC plug.

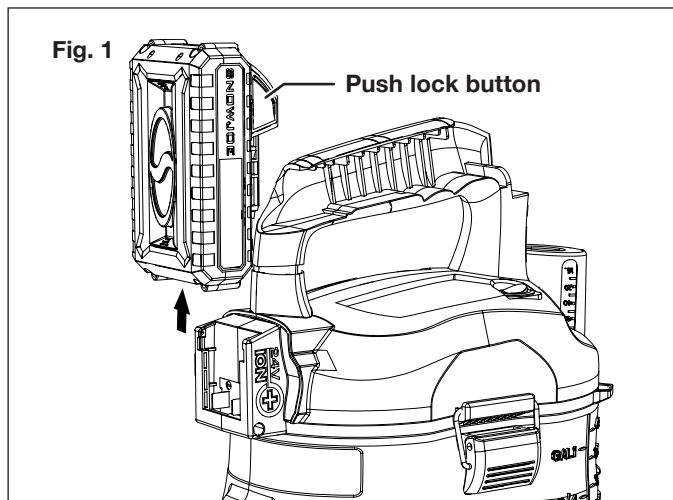
When to Charge the iON+ 24VBAT-LTW Lithium-iON Battery

NOTE: The iON+ 24VBAT-LTW lithium-iON battery packs do not develop a "memory" when charged after only a partial discharge. Therefore, it is not necessary to run down the battery pack before inserting the charger plug.

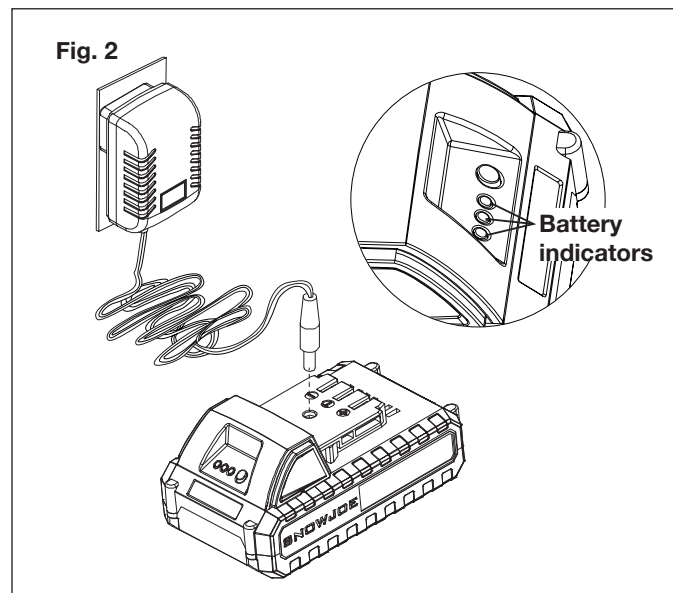
- Use the battery indicator lights to determine when to charge your iON+ 24VBAT-LTW lithium-iON battery pack.
- You can "top-off" your battery pack's charge before starting a big job or after a long day of use.

Charging the Battery

1. Push the push lock button on the battery to pull the battery pack out from the battery compartment (Fig. 1).



2. Check that the mains voltage is the same as that marked on the rating plate of the battery charger. Then, plug the charger adapter into an appropriate AC power outlet. Connect the charger plug into the charge socket of the battery to start charging (Fig. 2).



3. The battery will take approximately 3 hours to charge. The battery indicator LEDs will twinkle and illuminate one by one during the charging process. Unplug the charger immediately when the 3 LEDs are all illuminated.

⚠ CAUTION! FIRE HAZARD. When disconnecting the charger from the battery, be sure to unplug the charger from the outlet first, then disconnect the charger from the battery

⚠ WARNING! This charger does not automatically turn off when the battery is fully charged. Please take care not to leave the battery plugged into the charger. Switch off or unplug the charger at the mains when charging is complete.

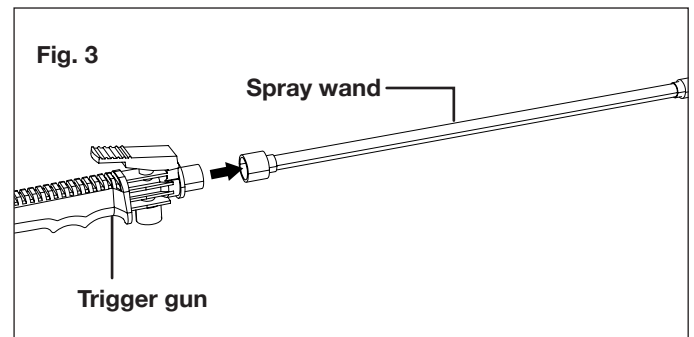
4. Timely recharging of the battery will help prolong the battery's life. You must recharge the battery pack when you notice a drop in the equipment's power.

IMPORTANT! Never allow the battery pack to become fully discharged as this will cause irreversible damage to the battery.

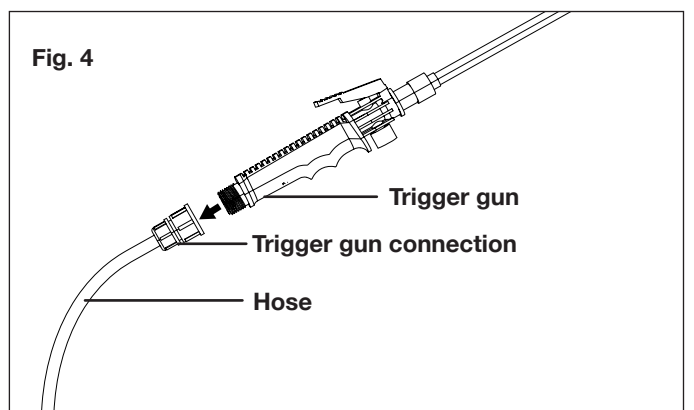
Assembly

⚠ CAUTION! To prevent accidental starting that could cause serious personal injury, always remove the battery pack from the product when assembling parts.

1. Insert the water outlet end of the trigger gun into the end of spray wand as show (Fig. 3), and thread to tighten.



2. Insert the trigger gun inlet end into the trigger gun connection on the hose and thread to tighten securely (Fig. 4). The sprayer is ready to use.



Operation

⚠ WARNING! Do not allow familiarity with the product to make you careless. Remember that a careless fraction of a second is sufficient to inflict serious injury.

⚠ CAUTION! Always wear eye protection during operation. Failure to do so could result in fluids entering your eyes resulting in possible serious injury.

This garden sprayer is designed for use with most consumer grade home and garden chemicals, such as insecticides, fungicides, weed killers, and fertilizers. Follow instructions below for proper operation of this unit.

⚠ WARNING! The garden sprayer is intended for household use only.

Filling the Tank

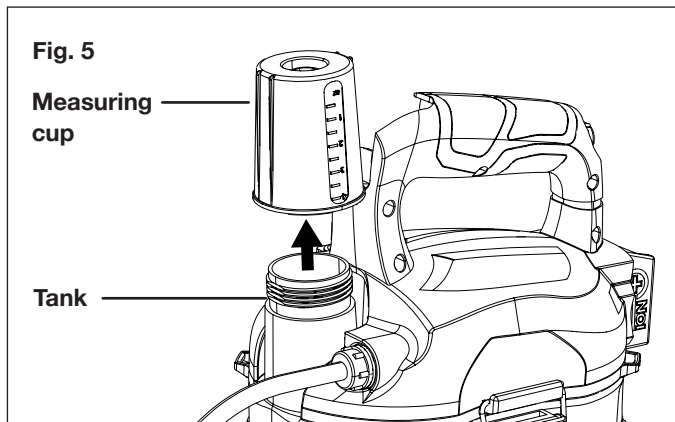
⚠ WARNING! Always follow the chemical manufacturer's instructions printed on their product labelling for use, cleaning, and storage. Clean thoroughly after each use, following the instructions in the Maintenance section of this manual. Chemicals should be stored out of the reach of children. Failure to do so may result in serious personal injury.

Liquids to be sprayed must be as thin as water. Thicker liquids will not spray properly. Follow the instruction below to fill the tank with proper solution. You can also premix the solution and pour it into the tank, using a funnel if needed.

⚠ WARNING! If powder detergent is desired, make sure to dissolve the powder in water completely to avoid any clogging.

NOTE: If using a measuring container other than the cup, or if using a funnel to fill the tank, be sure to thoroughly clean and rinse these items after use. If premixing the spray solution, rinse the container used for mixing.

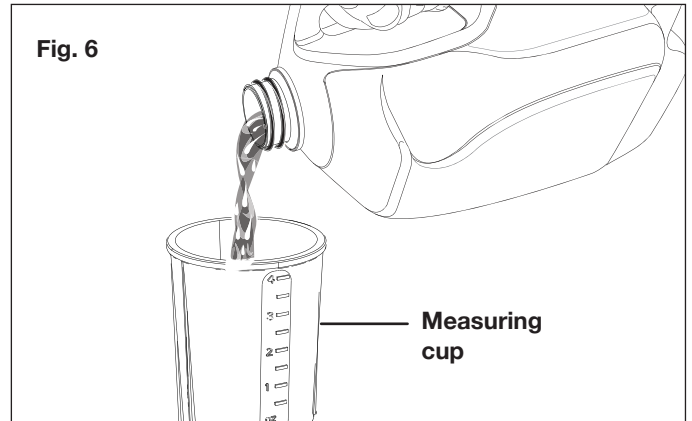
1. Turn off the unit and remove the battery.
2. Unscrew the measuring cup and remove it from the tank (Fig. 5).



3. Fill the tank with the desired amount of water (up to 1 gallon).

NOTE: DO NOT overfill the tank.

4. Measure the recommended amount of solution with the measuring cup. The cup may be used for measuring up to 4 fl oz (Fig. 6).



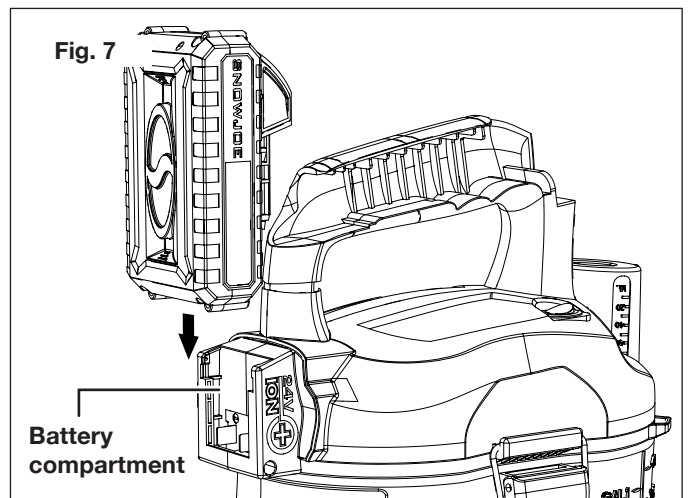
5. Carefully pour the measured solution into the tank.
6. Rinse the measuring cup with clean water. Screw it back onto the tank, making sure it is tightened securely.
7. Reinstall the battery pack.

NOTE: It is important to thoroughly clean the unit after each use. Allowing liquid to remain in an idle tool for an extended period may cause its moving pieces and connectors to seize up.

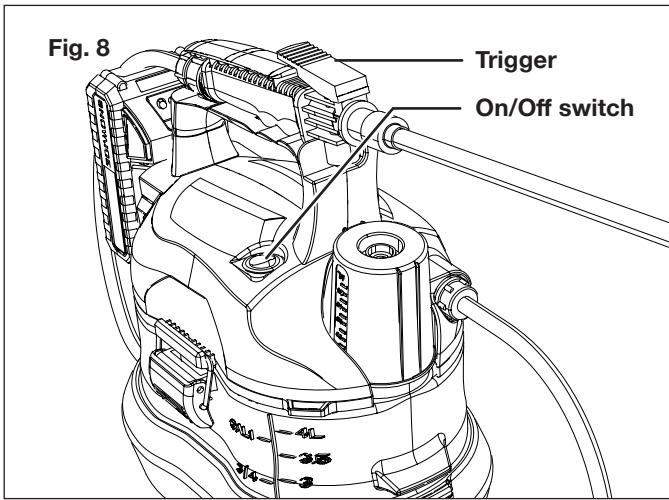
Starting + Stopping

⚠ WARNING! Always remove battery pack from your tool when you are assembling parts, making adjustments, cleaning, or when not in use. Removing battery pack will prevent accidental starting that could cause serious personal injury.

1. Insert the battery into the battery compartment on the rear of the sprayer housing until the battery clicks in position (Fig. 7).



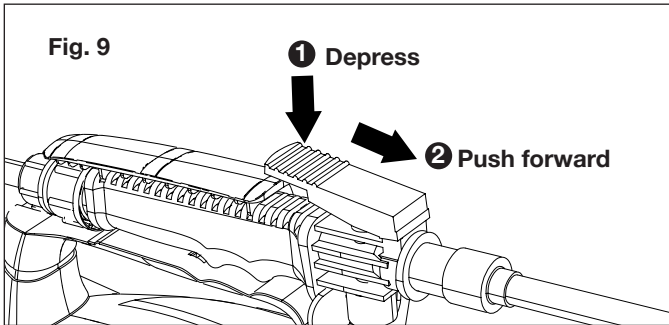
2. Press the On/Off switch on the ON(I) side, the switch will light up to indicate that the sprayer is in standby mode. Press the trigger on the trigger gun to start the sprayer (Fig. 8).



3. Release the trigger to stop the sprayer. Press the On/Off switch on the OFF(O) side (Fig. 8).

The trigger is equipped with lock-on feature, which is convenient when spraying for an extended period of time or when covering a large area.

4. To start spray with lock-on function, depress the trigger and slide it forward (Fig. 9).



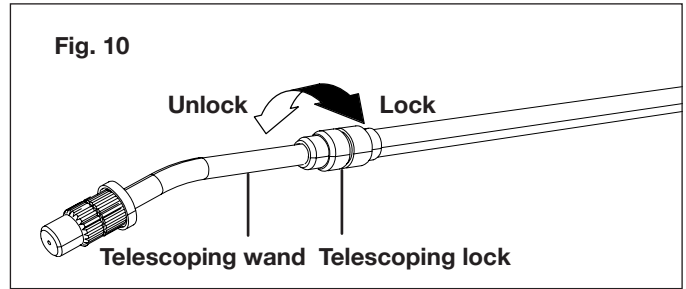
5. To release the locked trigger, press the trigger and slide it backward.

⚠ WARNING! Make sure the trigger is not locked on before inserting the battery pack into the sprayer.

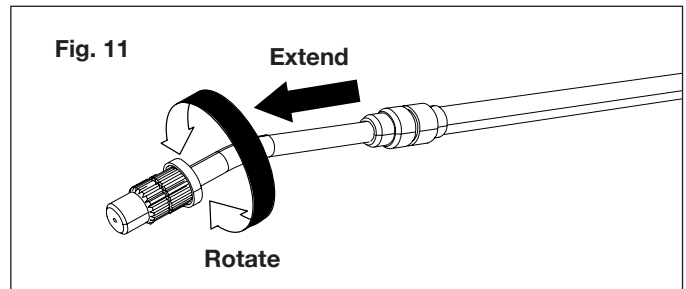
Telescoping Spray Wand

Follow the instruction below to adjust the spray wand.

1. Turn off the unit and remove the battery.
2. Rotate the telescoping lock counterclockwise to unlock the wand (Fig. 10).



3. Pull out the telescoping wand until it reaches the desired length. The wand can also be rotated 360 degrees for a suitable position for different jobs (Fig. 11).

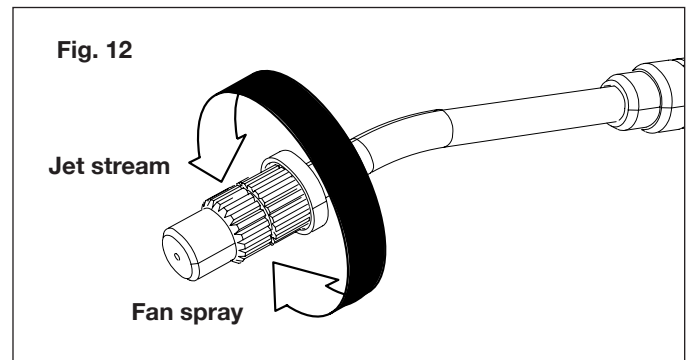


4. After adjusting, rotate the telescoping lock clockwise to secure the wand (Fig. 10). Reinsert the battery and continue working.

Spray Adjustment

The spray can be adjusted from a jet stream to a fan spray by the adjustable nozzle. Follow the instructions below to adjust the spray.

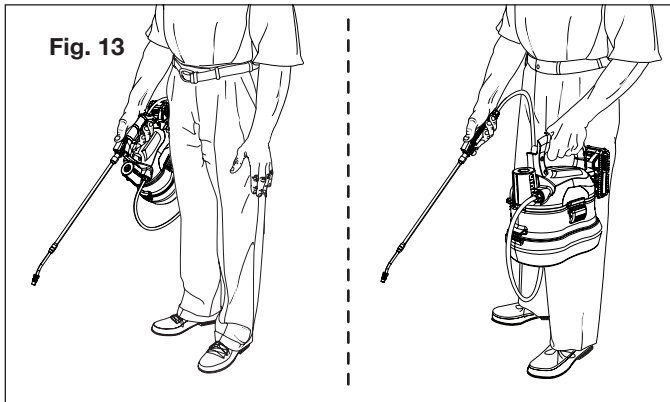
1. Turn off the unit and remove the battery.
2. Rotate the adjustable nozzle to adjust the spray as shown (Fig. 12).



3. Reinsert the battery and continue working.

General Operation

1. Insert the battery and turn on the sprayer.
2. The sprayer may be operated with the trigger gun resting in the handle + trigger gun holder, or you may remove and hold the trigger gun and the sprayer in separate hand (Fig. 13).



3. Aim the sprayer nozzle directly at the plants or objects to be sprayed.
NOTE: Make sure to stand far enough from the object being sprayed to prevent the spray from splashing back onto you.
4. Press the trigger to start spray.
5. After using, release the trigger and turn off the unit. Remove the battery from the battery compartment.
6. Thoroughly wash your hands and any area where skin has been exposed to the spray. Drain and clean the cordless sprayer as directed in the Maintenance section.

Operating Tips

- Never point the nozzle tip at yourself or others.
- Avoid spraying on windy days. Spray can be accidentally blown onto plants or objects that should not be sprayed.
- Never spray in the direction of people or animals; always spray downwind.
- Especially in warmer weather, spray in the early morning or late afternoon. Excessive heat can evaporate the spray before it settles.
- Never smoke, eat, or drink while operating the sprayer.

Maintenance

⚠️ WARNING! To avoid serious personal injury, always remove the battery pack from the tool when cleaning or performing any maintenance.

⚠️ WARNING! When servicing, use only identical replacement parts. Use of any other parts may create a hazard or cause product damage.

Avoid using solvents when cleaning plastic parts. Most plastics are susceptible to damage from various types of commercial

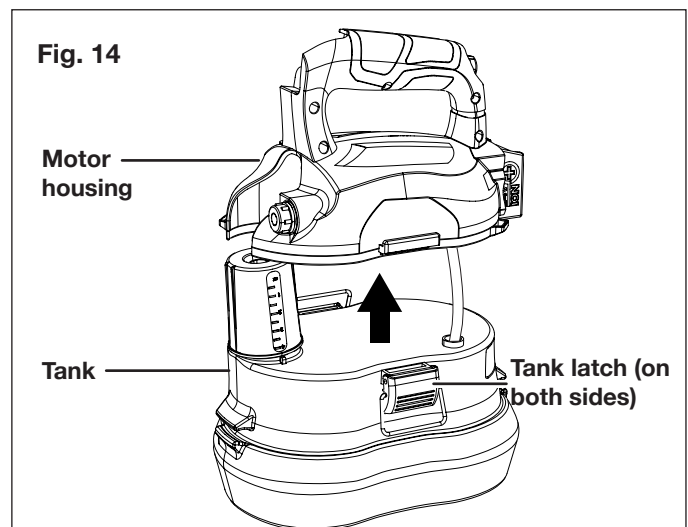
solvents and may be damaged by their use. Use clean cloths to remove dirt, dust, oil, grease, etc.

⚠️ WARNING! Do not at any time let brake fluids, gasoline, penetrating oils, etc., come in contact with plastic parts. Chemicals can damage, weaken, or destroy plastic which may result in serious personal injury.

Draining the Tank

If there is any liquid left in the tank after spraying, the tank should be drained before cleaning. Do not store chemicals in the tank.

1. Make sure the battery is removed.
2. Release the tank latches on both sides, and lift up the motor housing from the tank (Fig. 14).



3. Unscrew the measuring cup and drain the tank thoroughly.

⚠️ WARNING! Always store and dispose of chemicals properly. Disposal of contaminated rinse water should be performed according to local ordinances and by laws.

Clean the Tank

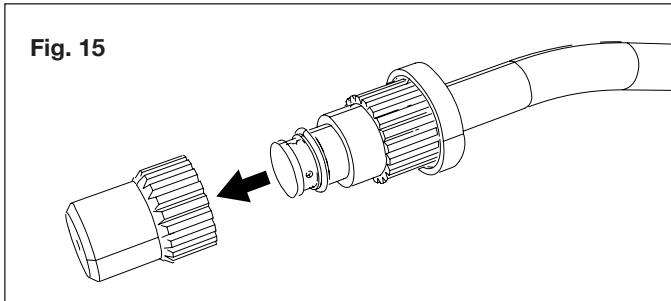
1. Fill the tank about one-third full with clean water. For a better clean result, use a small amount of mild household detergent.
NOTE: Never use flammable chemicals or abrasive cleaning agents to clean the tank.
2. Reattach the clean tank to the motor housing. Flip up the tank latches to lock the tank in place.
3. Insert the battery pack. Spray until the tank has been emptied. Make sure to direct the spray toward an area that will not be damaged by the spray solution.
4. Repeat the procedure with clean water. If needed, rinse the tank again, then drain again as directed above.
5. Wipe the outside of the tank with a clean, dry cloth. Remove the battery. Air dry the tank and all parts of the unit before storing.

NOTE: To avoid any leaking, make sure to lock the latches on both sides at the same time when assembling the tank.

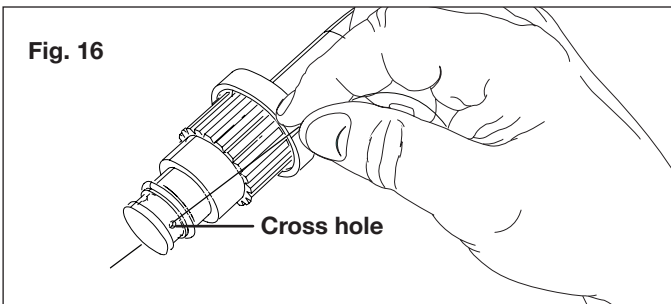
Clean the Nozzle

During longtime use, the nozzle may become clogged. Follow the instructions below to clean clogged nozzle.

1. Turn off the unit and remove the battery.
2. Unscrew and remove the nozzle from the spray wand (Fig. 15).



3. Push a narrow string through the cross holes to clear any debris (Fig. 16). If necessary, rinse the cross holes and nozzle with clean water.

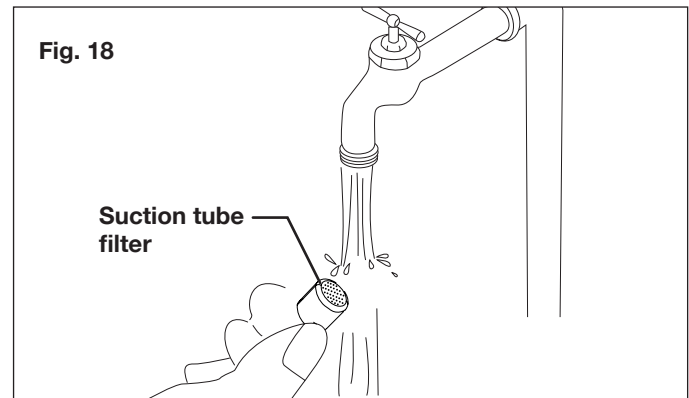
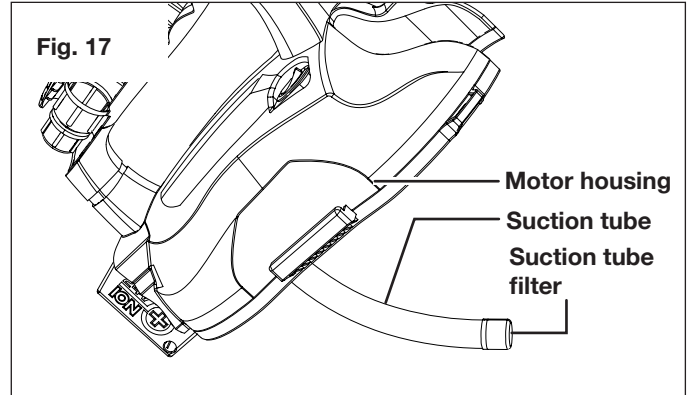


4. Wipe the nozzle and cross holes with a clean dry cloth and reinstall the nozzle.

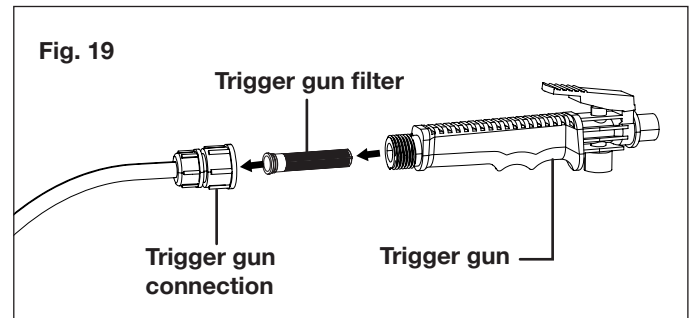
Clean the Filters

Periodically clean the filters on the suction tube and inside the trigger gun. Follow the instructions below:

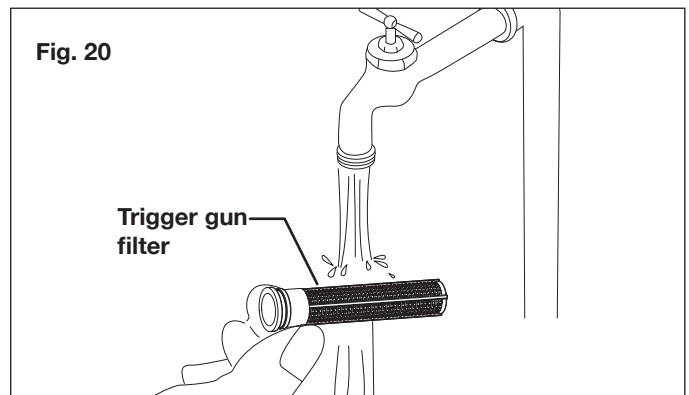
1. Make sure the tool is switched off and the battery is removed.
2. Release the tank latches on both sides, and lift up the motor housing from the tank (Fig. 14).
3. Pull out the suction tube filter from the suction tube to expose the suction tube filter (Fig. 17). Rinse the filter with warm water to prevent any foreign matter from clogging inside (Fig. 18).



4. Unscrew the trigger gun connection from the hose and disconnect the trigger gun from the hose. Then remove the trigger gun filter that is located inside the trigger gun (Fig. 19).



5. Rinse the trigger gun filter with warm water to prevent any foreign matter from clogging inside (Fig. 20).



Proper Care for Battery + Charger

⚠️ WARNING! To reduce the risk of injury, always unplug the charger and unplug the battery pack from the charger before performing any maintenance task. Never disassemble the battery pack or charger. Contact your Snow Joe® + Sun Joe® dealer or the Snow Joe® + Sun Joe® customer service center for ALL repairs.

1. To reduce the risk of injury and damage, never immerse your battery pack or charger in liquid or allow any liquid to flow inside these components.
2. Clean out dust and debris from charger vents and electrical contacts by blowing with compressed air.
3. Use only mild soap on a damp cloth to clean the battery pack and charger, keeping away from all electrical contacts. Certain cleaning agents and solvents are harmful to plastics and other insulated parts. Some of these include gasoline, turpentine, lacquer thinner, paint thinner, chlorinated cleaning solvents, ammonia and household detergents containing ammonia. Never use flammable or combustible solvents around battery packs, battery chargers or tools.
4. The 24V lithium-ion charger (XZ2600-0450) has no serviceable parts.

Storage

1. Examine the cordless garden sprayer thoroughly for worn, loose or damaged parts. Should you need to repair or replace a part, contact an authorized Snow Joe® + Sun Joe® dealer or call the Snow Joe® + Sun Joe® customer service center at 1-866-SNOWJOE (1-866-766-9563) for assistance.
2. Remove the battery from the cordless garden sprayer before storing.
3. Store the cordless garden sprayer indoors in a locked, ventilated, dry place out of the reach of children to prevent unauthorized use or damage.

Battery + Charger Off-Season Storage

1. Do not expose your battery pack or charger to water, rain or allow them to get wet. This could permanently damage the charger and the battery pack. Do not use oil or solvents to clean or lubricate your battery pack as the plastic casing can become brittle and crack, causing a serious risk of injury.
2. Store the battery pack and charger at room temperature away from moisture. Do not store in damp locations where corrosion of terminals may occur. As with other battery pack types, permanent capacity loss can result if the pack is stored for long periods of time at high temperatures (over 120°F/49°C).
3. iON+ 24VBAT-LTW lithium-ion battery packs maintain their charge during storage longer than other battery pack types. As a general practice, it is best to unplug the battery charger and remove the battery pack when they are not in use. Recharge the battery pack every 6 months

to 50% capacity (2 lights on) during off-season storage to maintain optimal battery performance.

Battery Caution + Disposal

Always dispose of your battery pack according to federal, state, and local regulations. Contact a recycling agency in your area for recycling locations.

⚠️ CAUTION! Even discharged battery packs contain some energy. Before disposing, use electrical tape to cover the terminals to prevent the battery pack from shorting, which could cause a fire or explosion.

⚠️ WARNING! To reduce the risk of injury or explosion, never burn or incinerate a battery pack even if it is damaged, dead or completely discharged. When burned, toxic fumes and materials are emitted into the surrounding atmosphere.

1. Batteries vary according to device. Consult your manual for specific information.
2. Install only new batteries of the same type in your product (where applicable).
3. Failure to insert batteries in the correct polarity, as indicated in the battery compartment or manual, may shorten the life of the batteries or cause batteries to leak.
4. Do not mix old and new batteries.
5. Do not mix Alkaline, Standard (Carbon-Zinc) or Rechargeable (Nickel Cadmium, Nickel Metal Hydride, or Lithium-Ion) batteries.
6. Do not dispose of batteries in fire.
7. Batteries should be recycled or disposed of as per state and local guidelines.

Service and Support

If your Sun Joe® 24V-GS-LTW-RM cordless garden sprayer requires service or maintenance, please call the Snow Joe® + Sun Joe® customer service center at 1-866-SNOWJOE (1-866-766-9563).

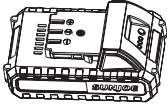
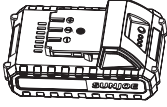
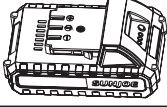
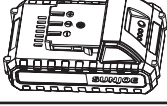
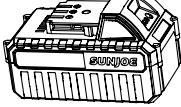
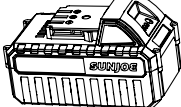

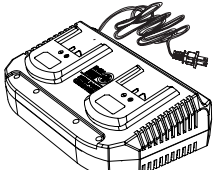
Model and Serial Numbers

When contacting the company, reordering parts or arranging service from an authorized dealer, you will need to provide the model and serial numbers, which can be found on the decal located on the housing of the unit. Copy these numbers into the space provided below.

Record the following numbers from the housing or handle of your new product:	
Model #:	_____
Serial #:	_____

Optional Accessories

⚠️ WARNING! ALWAYS use only authorized Snow Joe® + Sun Joe® replacement parts and accessories. NEVER use replacement parts or accessories that are not intended for use with this cordless garden sprayer. Contact Snow Joe® + Sun Joe® if you are unsure whether it is safe to use a particular replacement part or accessory with your cordless garden sprayer. The use of any other attachment or accessory can be dangerous and could cause injury or mechanical damage.

Accessories	Item	Model
	24V iON+ 1.3 Ah Lithium-Ion Battery <i>Battery Charge Time Max:</i> <i>Charge times vary by charger. See website for details.</i> <i>Battery Runtime Max: 10 hrs</i>	24VBAT-LTW
	24V iON+ 1.5 Ah Lithium-Ion Battery <i>Battery Charge Time Max:</i> <i>Charge times vary by charger. See website for details.</i> <i>Battery Runtime Max: 11.5 hrs</i>	24VBAT-LTX
	24V iON+ 2.0 Ah Lithium-Ion Battery <i>Battery Charge Time Max:</i> <i>Charge times vary by charger. See website for details.</i> <i>Battery Runtime Max: 15 hrs</i>	24VBAT-LTE
	24V iON+ 2.5 Ah Lithium-Ion Battery <i>Battery Charge Time Max:</i> <i>Charge times vary by charger. See website for details.</i> <i>Battery Runtime Max: 19 hrs</i>	24VBAT-LT
	24V iON+ 4.0 Ah Lithium-Ion Battery <i>Battery Charge Time Max:</i> <i>Charge times vary by charger. See website for details.</i> <i>Battery Runtime Max: 30 hrs</i>	24VBAT
	24V iON+ 5.0 Ah Lithium-Ion Battery <i>Battery Charge Time Max:</i> <i>Charge times vary by charger. See website for details.</i> <i>Battery Runtime Max: 38 hrs</i>	24VBAT-XR
	24V iON+ Lithium-Ion Battery Quick Charger	24VCHRG-QC
	24V iON+ Lithium-Ion Battery Charger	24VCHRG-DPC

NOTE: Accessories are subject to change without any obligation on the part of Snow Joe® + Sun Joe® to provide notice of such changes. Accessories can be ordered online at sunjoe.com or via phone by contacting the Snow Joe® + Sun Joe® customer service center at 1-866-SNOWJOE (1-866-766-9563).

NOTES



SNOW JOE® + SUN JOE® REFURBISHED GOODS WARRANTY

GENERAL CONDITIONS:

Snow Joe® + Sun Joe® operating under Snow Joe®, LLC warrants this refurbished product to the original purchaser for 90 days against defects in material or workmanship when used for normal residential purposes. If a replacement part or product is needed, it will be sent free of charge to the original purchaser except as noted below.

The duration of this warranty applies only if the product is put to personal use around the household. It is the owner's responsibility to correctly perform all maintenance and minor adjustments explained in the owner's manual.

HOW TO OBTAIN YOUR REPLACEMENT PART OR PRODUCT:

To obtain a replacement part or product, please visit snowjoe.com/help or email us at help@snowjoe.com for instructions. Please be sure to register your unit beforehand to speed up this process. Certain products may require a serial number, typically found on the decal affixed to the housing or guard of your product. All products require a valid proof of purchase.

EXCLUSIONS:

- Wearing parts like belts, augers, chains and tines are not covered under this warranty. Wearing parts can be purchased at snowjoe.com or by calling 1-866-SNOWJOE (1-866-766-9563).
- Batteries are covered in full for 90-days from the date of purchase.

Snow Joe® + Sun Joe® may from time to time change the design of its products. Nothing contained in this warranty shall be construed as obligating Snow Joe® + Sun Joe® to incorporate such design changes into previously manufactured products, nor shall such changes be construed as an admission that previous designs were defective.

This warranty is intended to cover product defects only. Snow Joe®, LLC is not liable for indirect, incidental or consequential damages in connection with the use or misuse of the Snow Joe® + Sun Joe® products covered by this warranty. This warranty does not cover any cost or expense incurred by the purchaser in providing substitute equipment or service during reasonable periods of malfunction or non-use of this product while waiting for a replacement part or unit under this warranty. Some states do not allow exclusions of incidental or consequential damages so the above exclusions may not apply in all states. This warranty may give you specific legal rights in your state.

HOW TO REACH US:

We're here to help Monday through Friday from 9AM to 7PM EST and Saturday and Sunday 9AM to 4PM. You can reach us at 1-866-SNOWJOE (1 866-766-9563), online at snowjoe.com, via email at help@snowjoe.com or tweet us @snowjoe.

EXPORTS:

Customers who have purchased Snow Joe® + Sun Joe® products exported from the United States and Canada should contact their Snow Joe® + Sun Joe® distributor (dealer) to obtain information applicable to your country, province or state. If for any reason, you are not satisfied with the distributor's service, or if you have difficulty obtaining warranty information, contact your Snow Joe® + Sun Joe® seller. If in the event your efforts are unsatisfactory, please reach out to us directly.



sunjoe.com